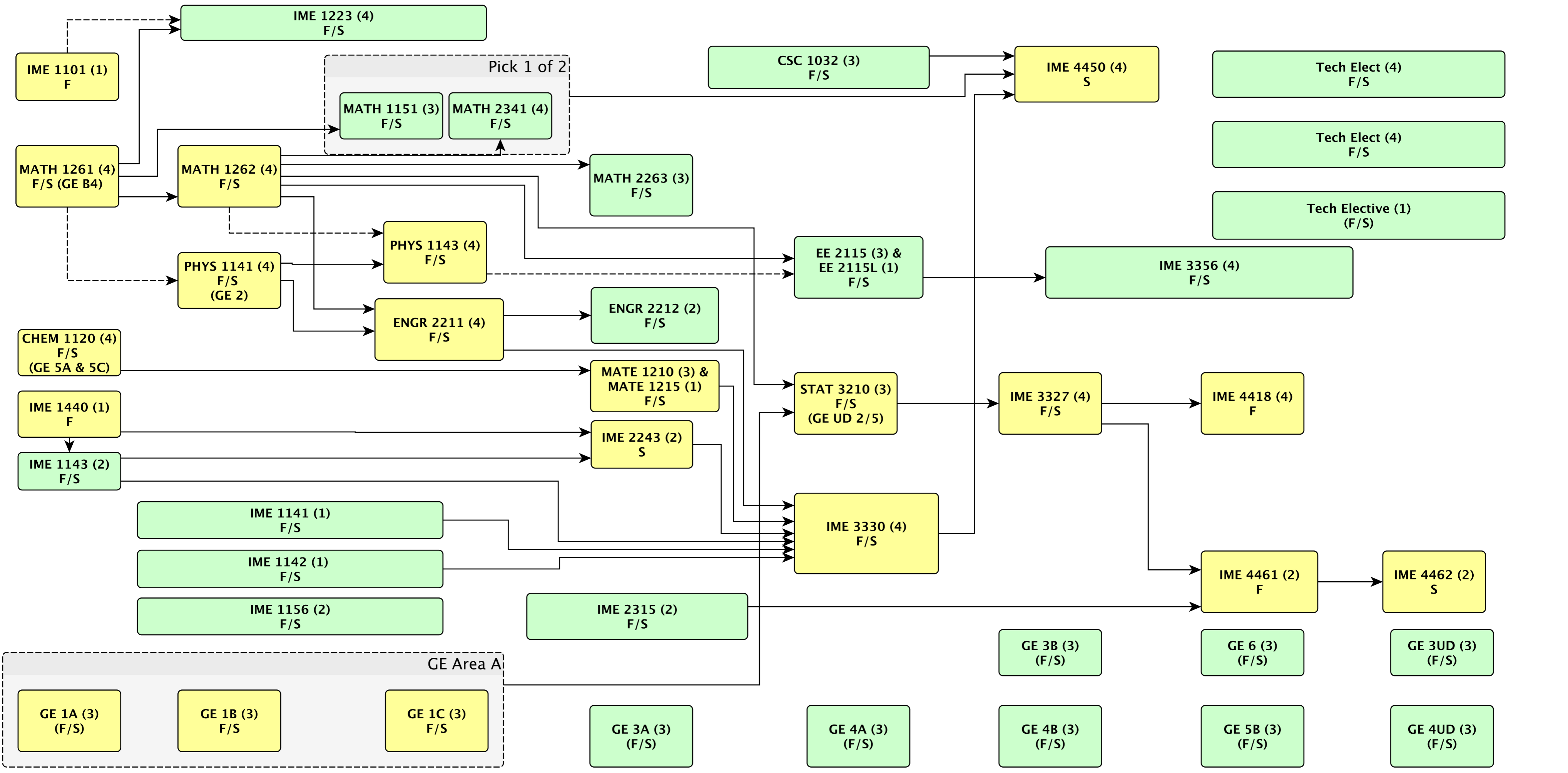
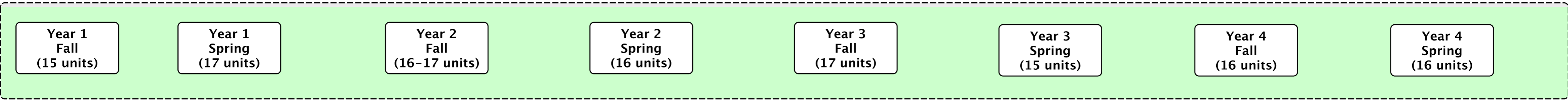


Flow Chart and the Precedence Relationship of Courses in B.S. Manufacturing Engineering 2026–2028 Catalog



Keys

