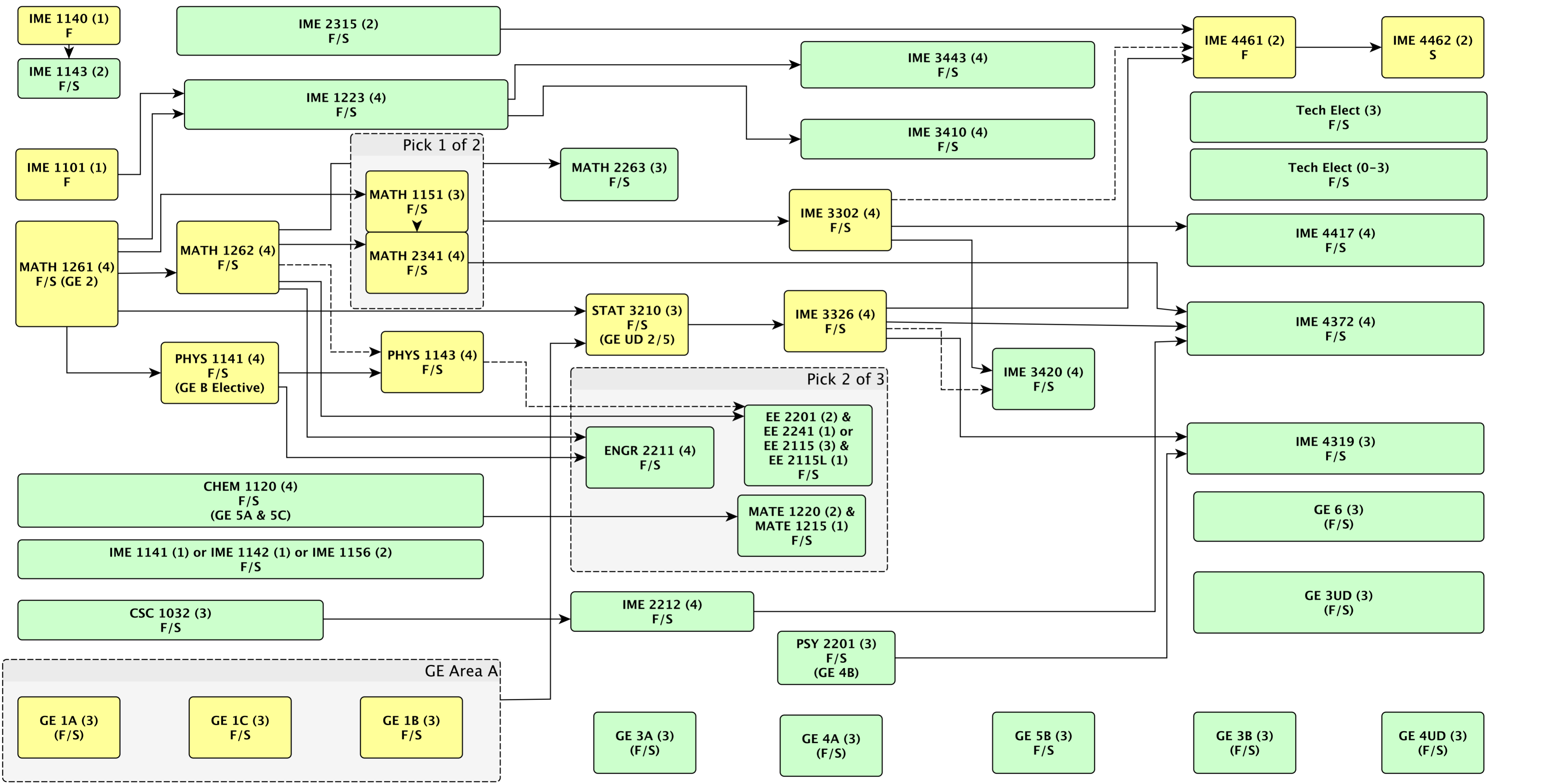
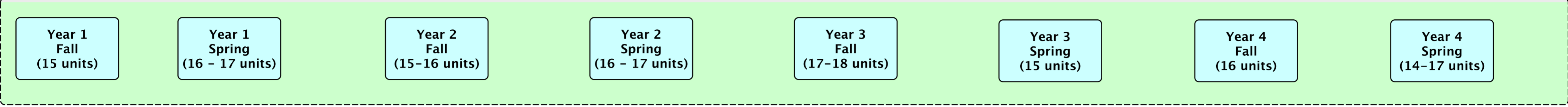


# Flow Chart and the Precedence Relationship of Courses in B.S. Industrial Engineering 2026–2028 Catalog



**Keys**

